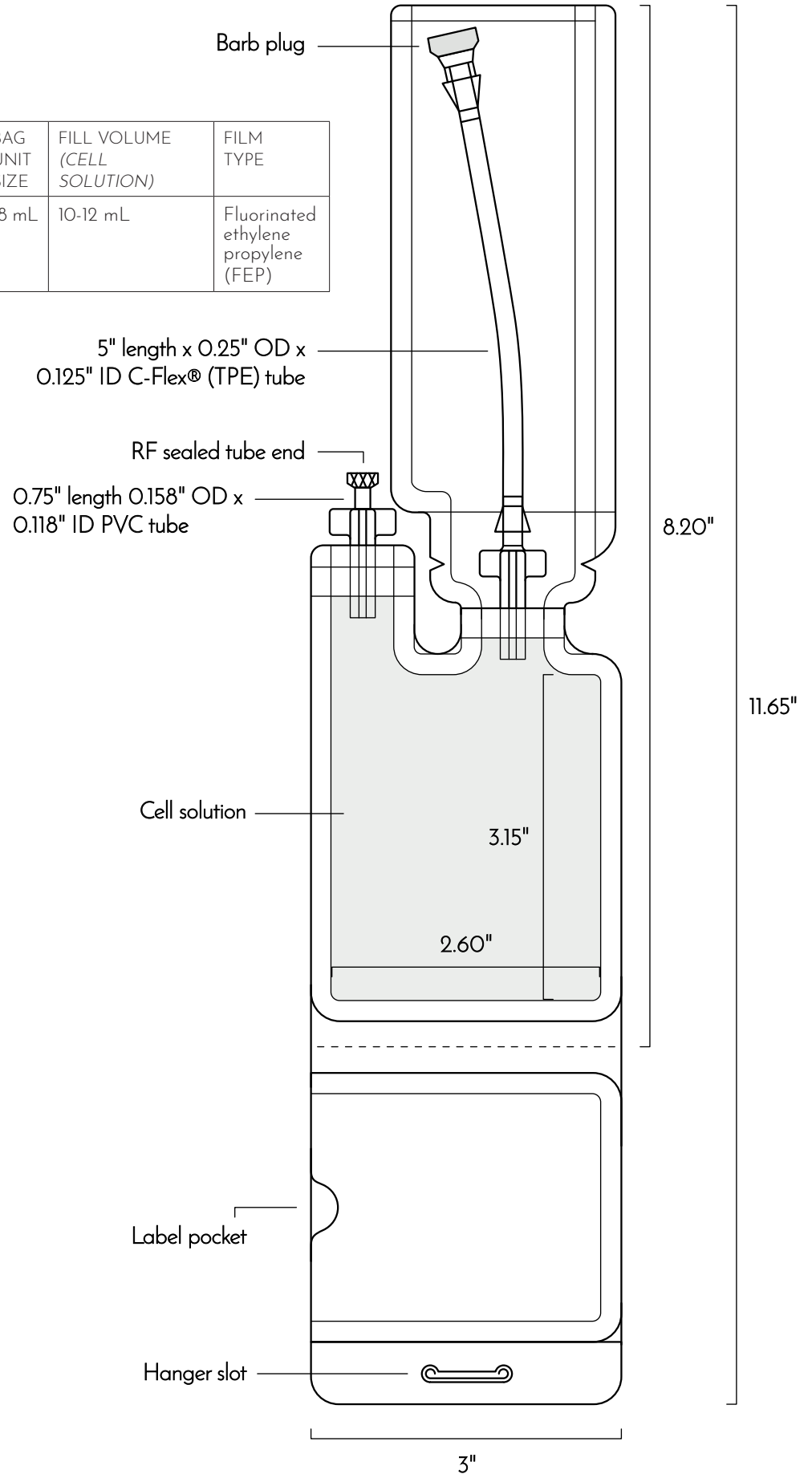


ROOSTERBANK™-hBM-100M-XF

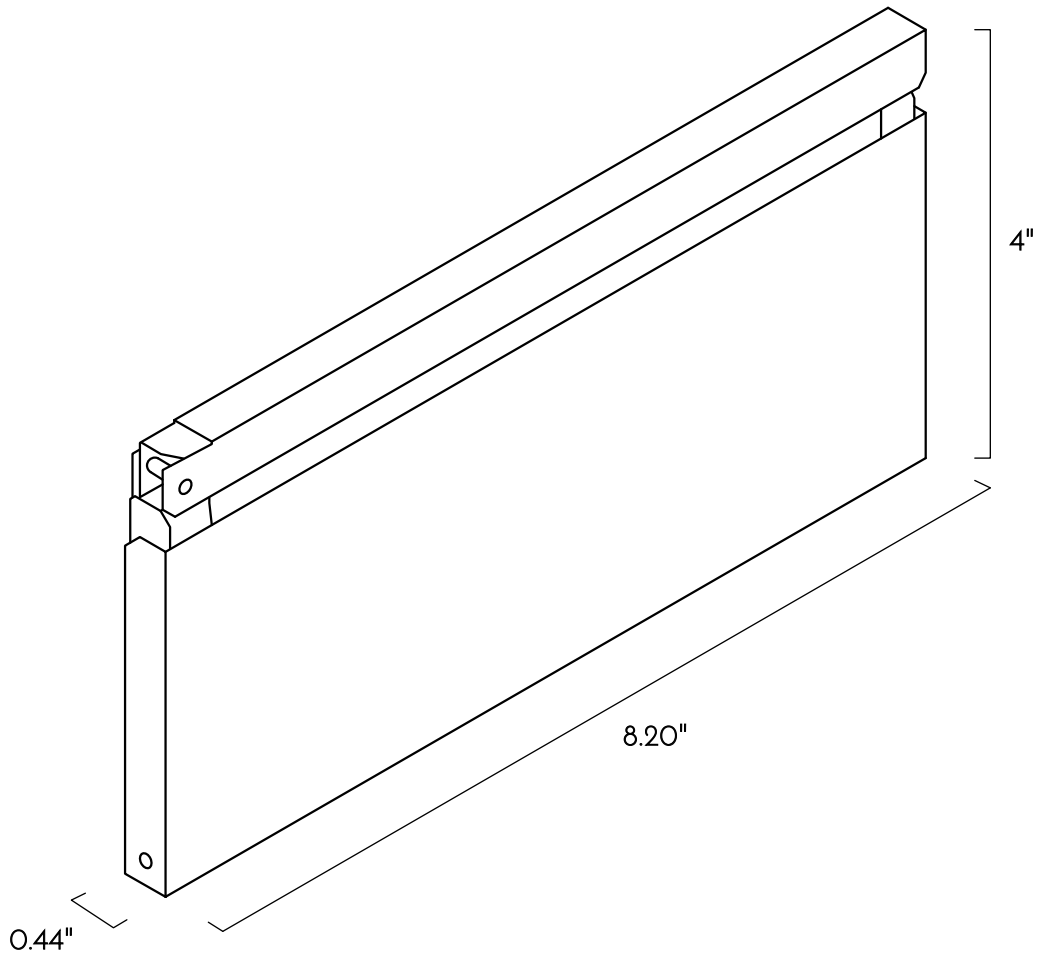
CATALOG NO.	QTY	UNIT SIZE & BRIEF DESCRIPTION	BAG UNIT SIZE	FILL VOLUME (CELL SOLUTION)	FILM TYPE
MSC-035	1 bag	100M xeno-free (XF) cryopreserved cells	18 mL	10-12 mL	Fluorinated ethylene propylene (FEP)



DRAWING NOT TO SCALE. DESIGN IS SUBJECT TO CHANGE.
 SINGLE-USE CRYOPRESERVATION BAG IS SHIPPED INSIDE A CASSETTE.

ROOSTERBANK™-hBM-100M-XF | CASSETTE

QTY	UNIT SIZE	BRIEF DESCRIPTION	MATERIAL
1 cassette	4" x 8"	Single-use cryopreservation bag cassette	0.032" Aluminum



DRAWING NOT TO SCALE. DESIGN SUBJECT TO CHANGE.
 ROOSTERBANK-hBM-100M-XF IS SHIPPED INSIDE THIS CASSETTE (DIAGRAM SHOWN).